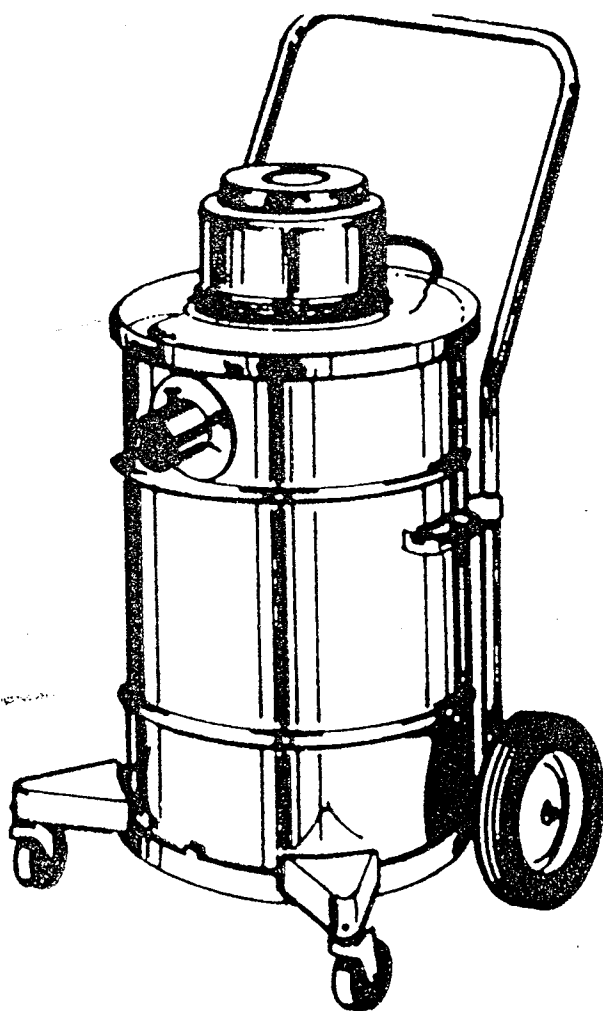


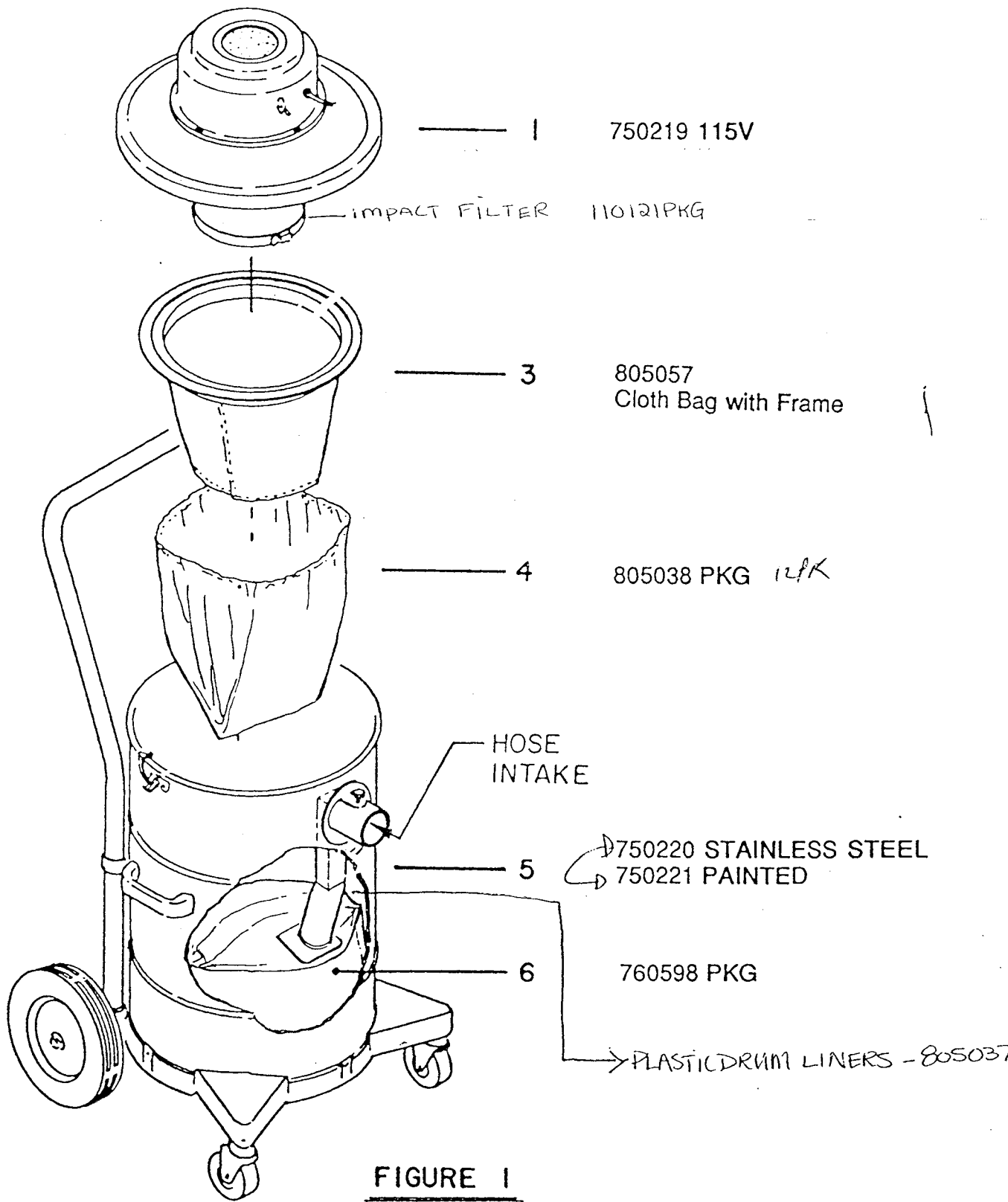
- ▶ OPERATION
- SERVICE
- PARTS
- CARE

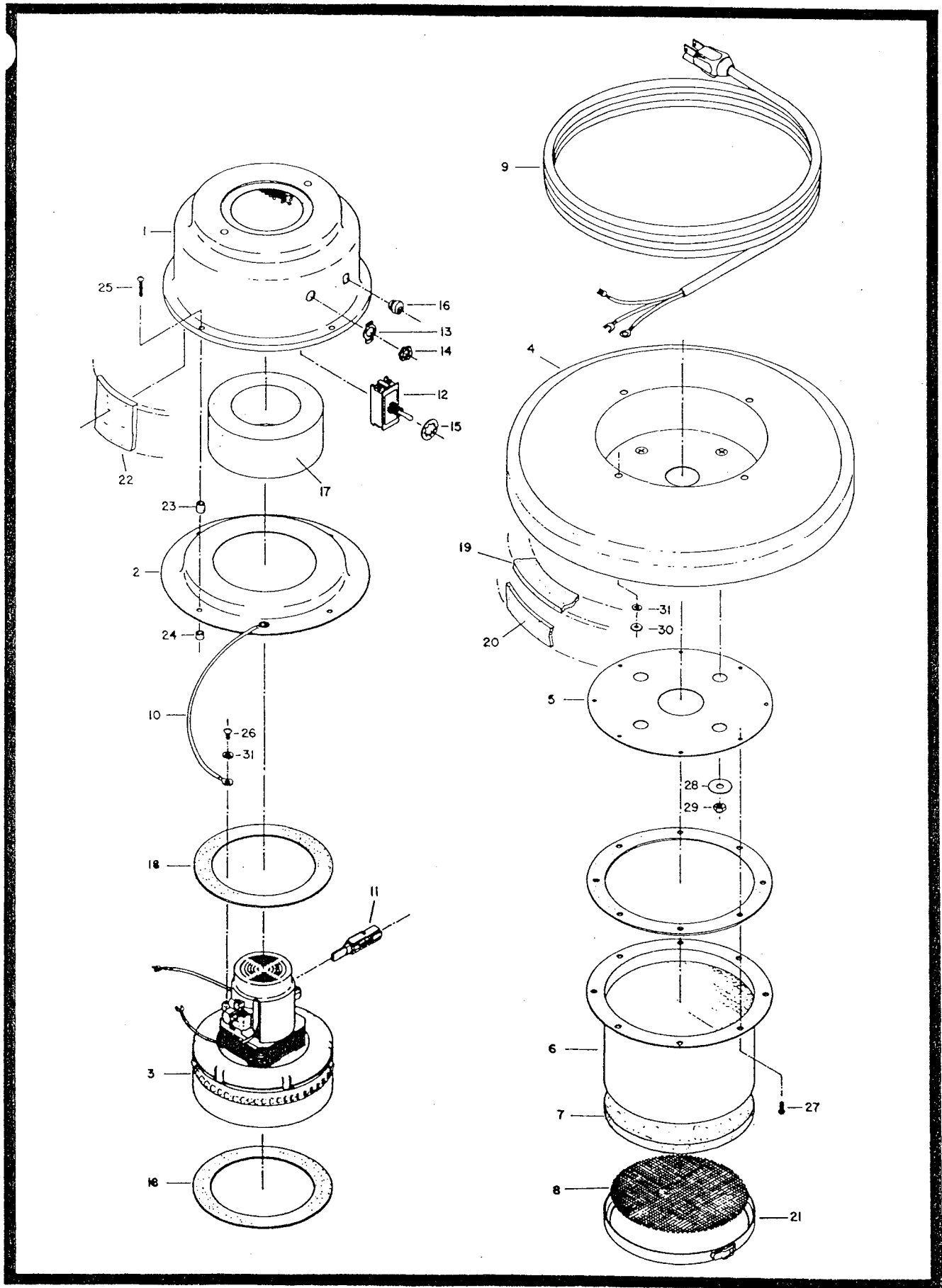
Hako®
Minuteman®

Model No: C80315
Asbestos Vacuum



- Nylon
- 805005
- DDC 407

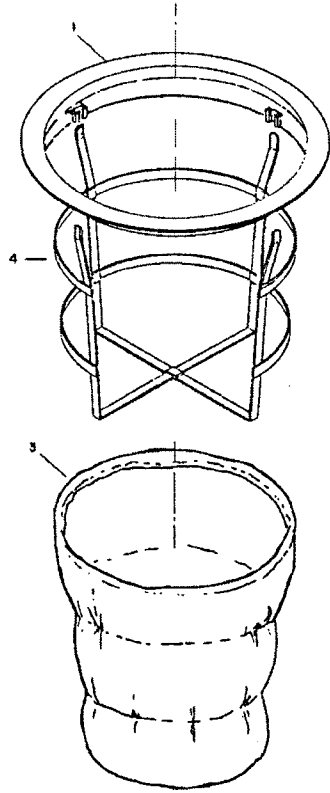




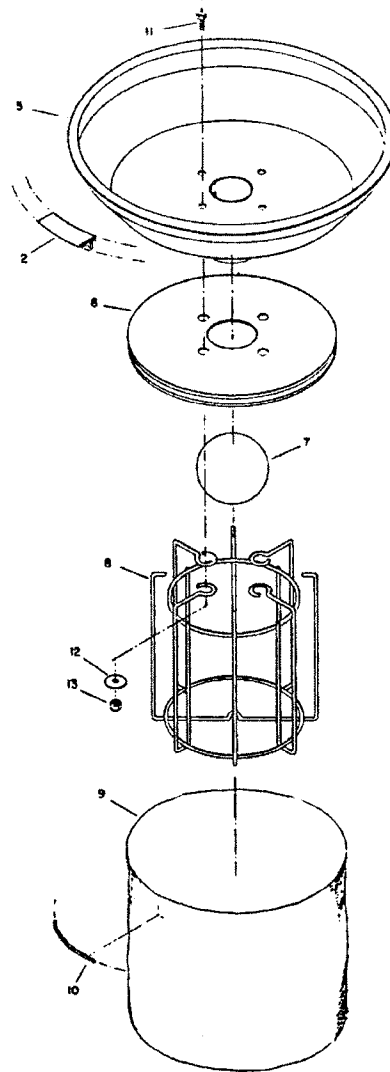
Parts Listings

ITEM NO.	PART NO.	QUANTITY	DESCRIPTION
1	750414	1	Dome Weldment
2	750000	1	Asy. Motor Hold Down
3	380001	1	Motor, 120 V / . 24
4	750222	1	Asy., Lid Sub
4a	750194	1	Lid SS Asy includes Items 19, 20
5	110012	1	Plate, Mounting
6	110010	1	H.E.P.A. Filter SM Round
7	110121PKG	1	Impact Fltr SM RD Pkg 12
8	760005	1	Retainer Screen 8 x 8/6.62
9	381020	1	Cord Set, 16-3 50 Feet
10	750002	1	Ground Wire Asy
11	380028	2	Carbon Brushes/380
12	380002	1	Switch, Toggle 1.5 HP
13	101020	1	Plate, Off/On Indicator
15	711556	1	WSR LOC 1/2 Internal
16	380004	1	Relief, Strain
17	380064	1	Ring, Foam
18	380035	2	Gasket, 4.31 x 5.81 x .19
19	480052	1	Gasket, RBR .25 x .87 x .50
20	480053	1	Ring, Rubber Locating
21	750004	1	Weldment Retainer 6.62
21a	750006	1	Retainer Impact Asy Comp
22	380040	1	Felt, 25 x 2.5 x 25
23	380061	4	Bushing
24	380037	4	Bushing
25	710360	4	SCR-MC 10-32 x 1.00 ST PL
26	710353	1	SCR-MC 10-32 x .37 ST PL
27	710328	8	SCR-MC 8-32 x .37 ST PL
28	711574	4	WSR, Flat 1" OD x .25 ID
29	711373	4	Nut-LOC 1/4-20
30	711310	4	Hex-Nut 10-32 ST PL
31	711543	5	WSR, Helical SPR LOC #10
See Page 6	760598PKG	1	Asbestos Disp Bag Pkg 10
See Page 6	805037PKG	1	15G Asbes Plas Lnr Pkg 12
See Page 6	805038PKG	1	15G Disp Filtr Prot Pkg 12
See Page 11	805057	1	Dynel Filter Bag w/Frame
****	750219	1	Lid Asy Asbestos Vac 115V

CLOTH BAG WITH FRAME COMPLETE
805057

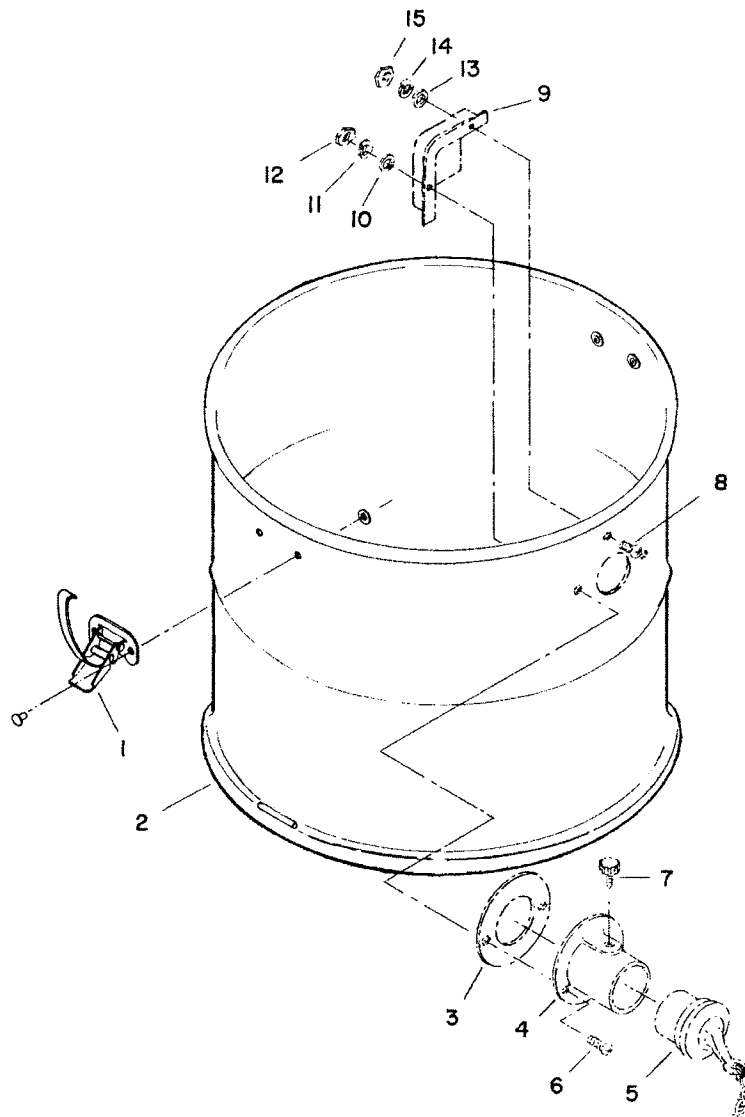


WATER SHUT OFF ASSEMBLY COMPLETE 110408



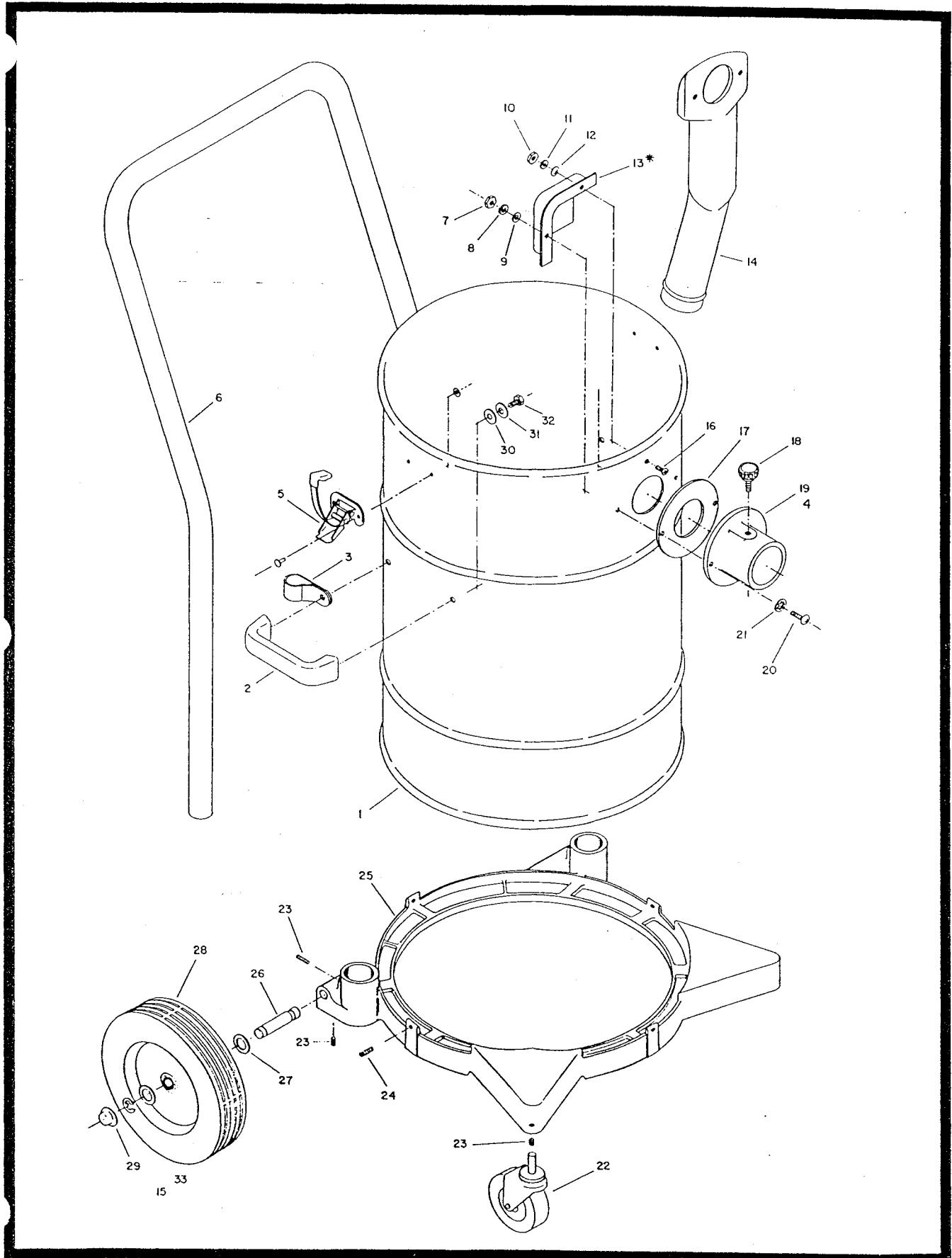
Parts Listing

Item	Part No.	Qty.	Description
1	760131	1	Molded Bag Ring
2	805018	1	Gasket
3	805054	1	Bag Only
4	750097		Cloth Bag Frame
5	750405	1	Assembly - plate water shut-off
6	760231MCH	1	Ring, Bag Retainer
7	380046	1	Ball, Float
8	380045CTD	1	Cage Float Assembly
9	760234	1	Lint Trap Bag
10	760260	1	Spring, Retainer
11	711203	4	BLT, 1/4-20 x .50 HHMS
12	711519	4	WSR, Flat 1/4 ID x 1" OD
13	711373	4	Nut, Nyloc 1/4-20



Parts Listing

Item	Part No.	Qty.	Description
1	761054	2	Latch
2	110902	1	Adapter 1:1 PTD Inc. #1
2a	110901	1	Adapter 1:1 SS Inc. #1
3	900036	1	Gasket
4	900112POL	1	Intake
5	750402	1	Plug Assembly
6	710356	2	SCR-MC 10-32 x .62
7	500033	1	Knob
8	710530	1	SCR-MC 8-32 x .50
9	900035	1	Deflector
10	711503	2	WSR, Flat #10
11	711543	2	WSR, Lock #10
12	711310	2	Nut-Hex 10/32
13	711502	1	WSR, Flat #8
14	711542	1	WSR, Lock #8
15	711304	1	Nut-Hex 8/32

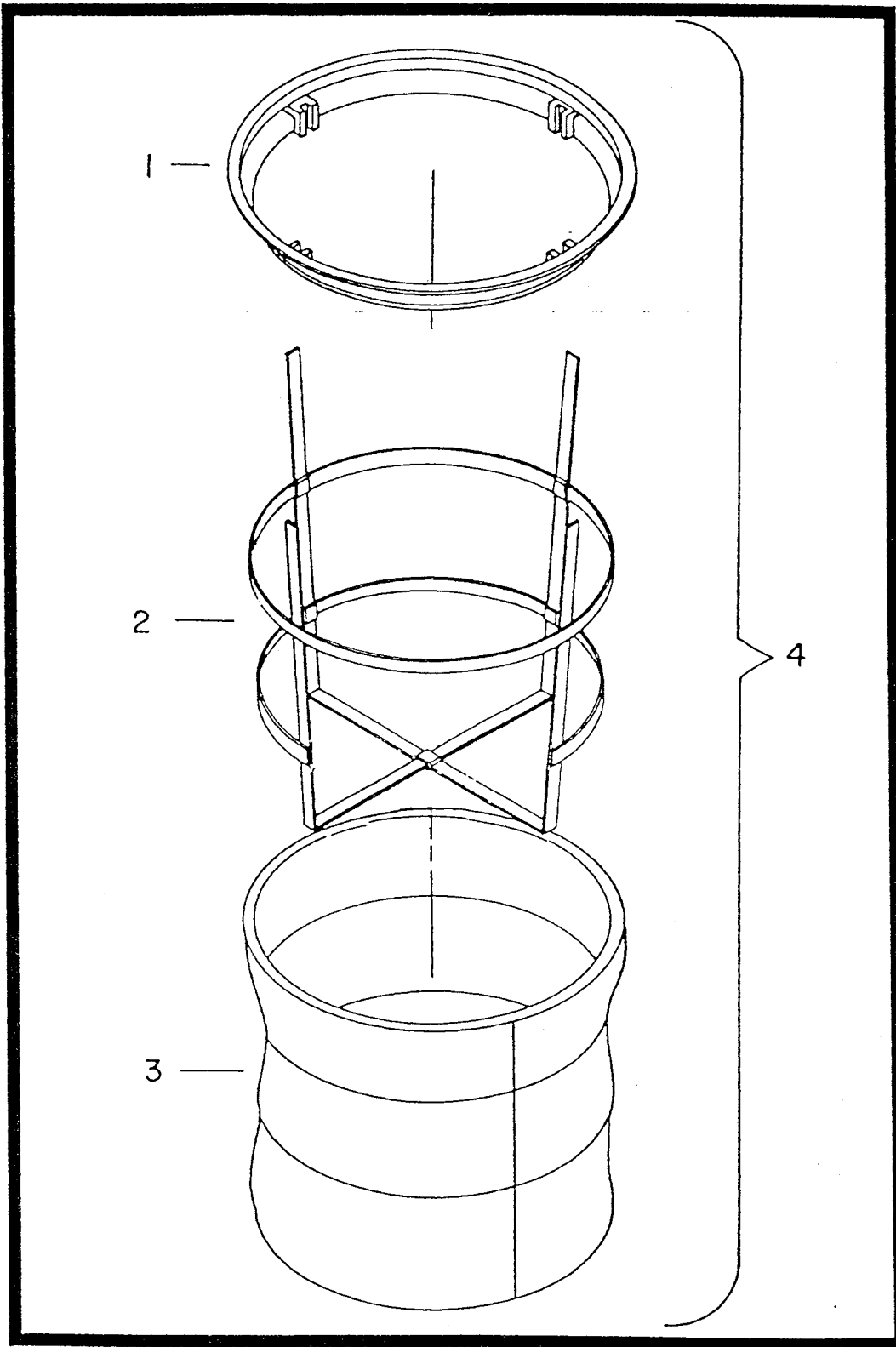


801014

Parts Listings

ITEM NO.	PART NO.	QUANTITY	DESCRIPTION
1	900001	1	Tank, PTD 15 Gal.
1a	900003POL	1	Tank, Polished 15 Gal. SS
2	900031POL	2	Handle, Tank Polished
3	900038-	2	Clamp, Handle
4	900114-USE 900029	1	Intake MRS PLT New Style
4a	750650-✓	1	Intake Asy w/Downtube MRS Only
5	761054	2	Latch
6	900037PLT	1	Handle, Plated
7	711310	2	Nut-Hex 10-32 ST PL
8	711543	2	WSR - Helical #10
9	711503	2	WSR - Flat #10
10	711304	1	Nut - Hex 8-32 ST PL
11	711542	1	WSR - Helical #8
12	711502	1	WSR - Flat #8
13	900035	1	Deflector, Intake
14	390016	1	Molded Downtube New Style
15	711713	2	Retaining Ring-E Ext.
16	710530	1	SCR - MC 8-32 x .50 BR
17	900036	1	Gasket
18	500033	1	Locking Screw
19	900112POL	1	Intake Polished Hi Intake
19a	750632	1	Intake Asy w/Molded Downtube
20	710154	2	SCR - MC 10-32 x .562 SS
21	711553	2	WSR - Internal Lock #10
22	900033	2	Caster, Swivel
23	711005	4	SCR - SK 1/4-20 x .31
24	711006	6	SCR - SK 1/4-20 x .62
25	760984PTD	1	BKT, Wheel
26	900066	2	Axle
27	711524	2	WSR - Wave .52 x .87 x .01
28	900040	2	Wheel
29	130032	2	Cap, Retainer
30	711591	4	WSR - Rubber
31	711505	4	WSR - Flat 1/4
32	711203	4	BLT - HH 1/4-20 x .62
33	711594	2	WSR - Flat .56 x .88 x .03 NI
***	750220		Tank Asy Comp 15G PTD Asbestos
***	750221		Tank Asy Comp 15G SS Asbestos
***	750322		Wheel Bkt Asy Complete
***	750381		Tank Asy Comp PTD w/Deflector
***	750382		Tank Asy Comp SS w/Deflector

801010 HOSE ASBY



ITEM NO.	PART NO.	QTY	DESCRIPTION
1	760131	1	Molded bag ring
2	750097	1	Bag frame
3	805054	1	Cloth bag only
4	805057	1	Bag asy. complete

Optional 7A Tool Kit Dry Only 805590

A



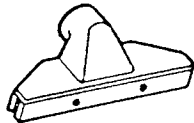
801010 Hose Asy 1.5x15, Complete
801014 1 1/2 Swvl Cuff

B



800015 Wand Asy 1-1/2, Complete

C



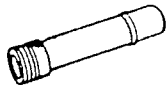
800070 12" Gulper Tool
710356 SCR-MC 10-32x.62
710357 SCR-MC 10-32x.75
800187PTD Gulper Nozzle
800217 Fibre Shoe Rear
800218 Fibre Shoe Front

D



800024 3" Rd Dust Brsh, Alum, Complete
800025 Bristle Insert 5"
800176MCH Dust Brush HSG

E



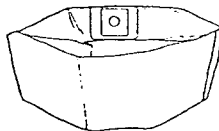
800116 Swivel, Hose End Complete

F



110121PKG Pink Impact Filter
Protectors, Pkg. of 12

G



760598PKG Asbestos Disposable
Paper Bags, Pkg. of 10

H



805038PKG 15 Gallon Disposable Filter
Protectors, Pkg. of 12

I



805037PKG Plastic Bag Liners
Pkg of 12